

LERCO LAMP INSTRUCTION MANUAL

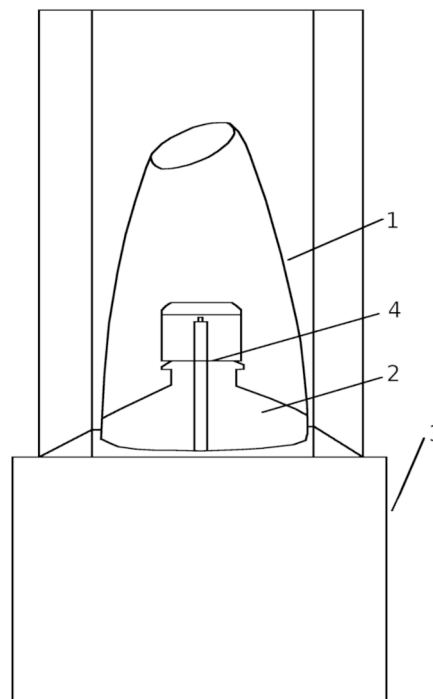
Please read this manual carefully before using the product. The reusable oil-filled lamp is intended for use as a light source in outdoor areas and well-ventilated indoor spaces.

Lamp components:

1. Lampshade
2. Lamp cartridge
3. Stabilizing stand with glass
4. A wick with an applicator

Activation:

1. Pull out the lamp cartridge (2) from the stabilizing stand (3)
2. Remove the protective cover (1)
3. Remove the locknut
4. Light the knot (4). (do not pull the knot)
5. Put on the protective cover (1) and add insert in the stabilizing stand (3)



The lamp cartridges (2) are replaceable. Follow the diagram above to replace the cartridge.

To fill the cartridge (2) with oil, remove the lock nut and then slowly add oil. We recommend using Euro Oil by Lerco.

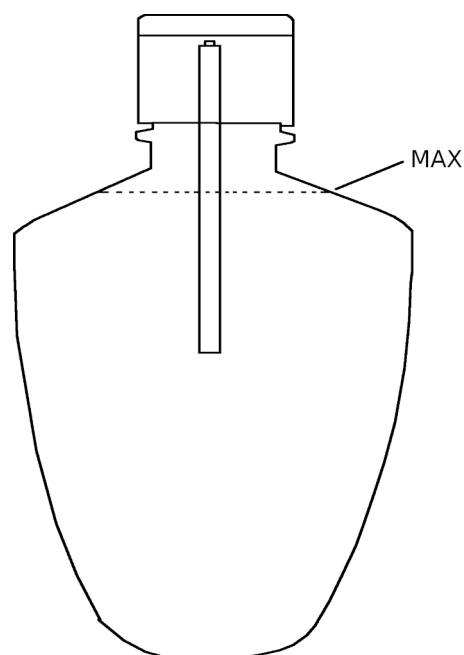
Fire hazard.

Overfilling the lamp cartridge may result in uncontrolled oil burning. The figure below shows the maximum amount of oil that can be added.

In case of uncontrolled oil burning carefully turn off the lamp, wait until cool and drain excess oil. Too hard a pulled wick may result too high flame.

Attention:

- Do not leave a lit lamp unattended
- Keep away from children.
- Use only outdoors or in wells ventilated room
- If you drink the oil: Immediately contact your doctor



Producer: LERCO
Balicka 56, 30-149 Cracow, Poland
www.lerco.eu
Made in EU

